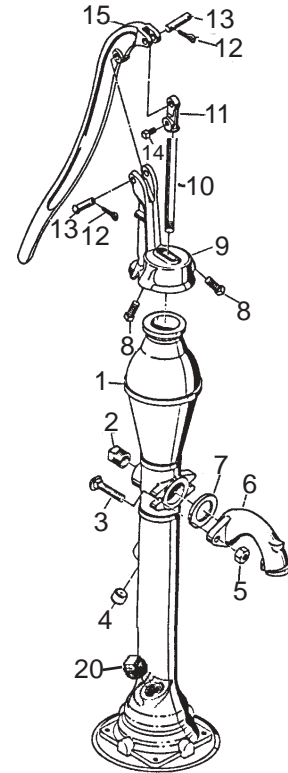


Hand Pumps

Models 11HA

Force Hand Pumps			
Model No.			11HA
Item	Qty	Description	Ord. No.
1	1	Base & plug assembly	HD140
2	1	Standard Pipe plug 1-1/4" NPT	HD71
3	2	Bolt, 3/8"-16NC x 2-1/4"	HD70
4	1	Screen Vent	PS585A
5	2	Hex Nut 3/8-16NC	UB17
6	1	Siphon Spout	O9
7	1	Gasket	O80
8	2	Set Screw-1/2"-13NC x 1-1/4"	PS11
8	3	Set Screw, 1/2" x 13NC x 1-1/2"	
9	1	Cap Assby includes item #8, 12 & 13	HA152
9	1	Pump Cap includes #8	
10	1	Pump Rod	HA52
10	1	Lower Piston bar guide	
11	1	Rod Eye & Set Screw Assby.	HA155
11	1	Flat Pump Bar 42" long	
12	2	Cotter Pin	HF57
13	2	Pin, handle to cap 1/2" x 2-1/4" Long	EP54
13	1	Upper piston bar guide	
14	1	Set screw, 1/2"-13NC x 1"	HF30
14	2	Cotter Pin	
15	1	Handle, pin & rod eye assby includes #11, 12, 13 & 14	HA153
20	1	Pipe Plug, 1" NPT	SW33

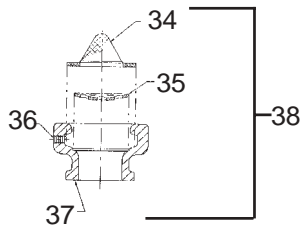
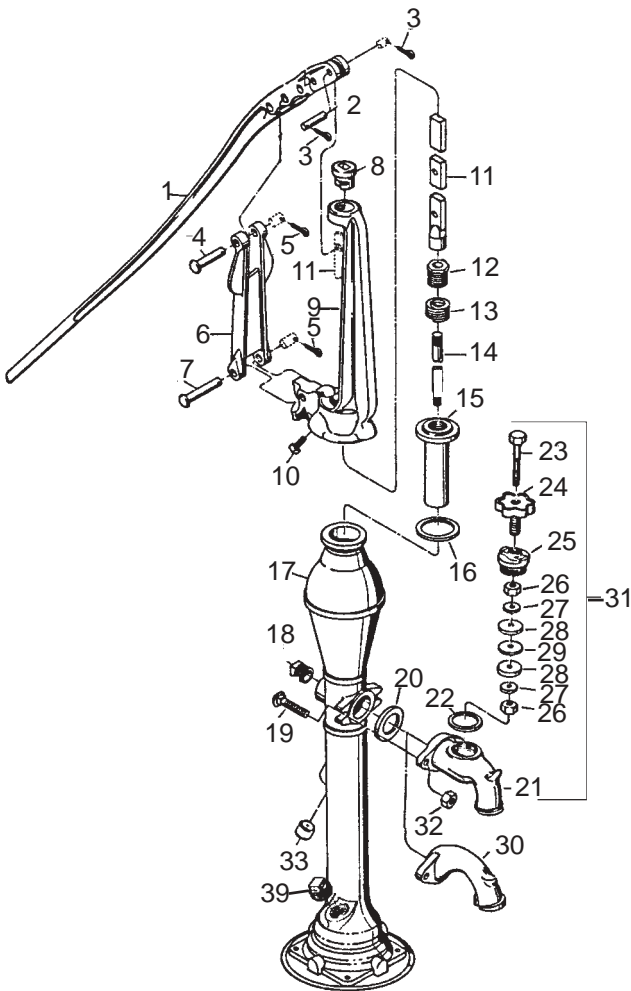


Model 11HA

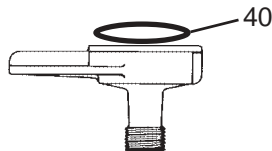


Hand Pumps

Models 11HD & 11HDA, 12HD & 12HDA



Screen Adapter attaches to end of spout.



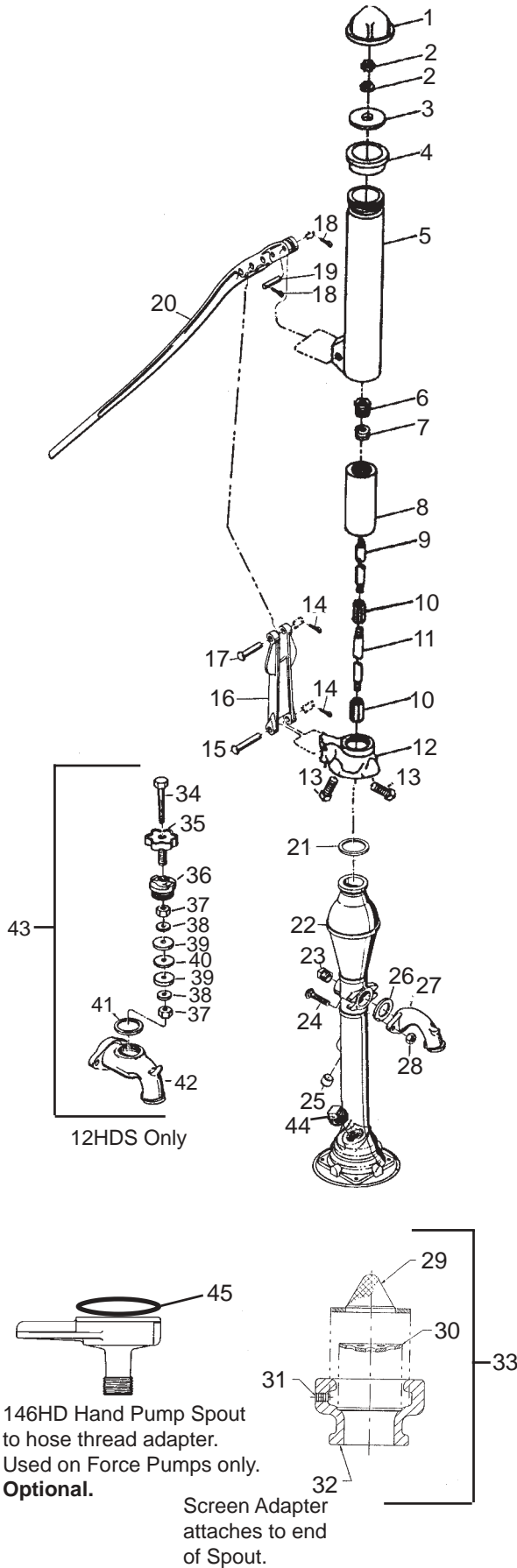
146HD Hand Pump Spout to hose thread adapter. Used on Force Pumps only. **Optional.**

Force Hand Pumps			
Model No.		11HD, 11HDA, 12HD & 12HDA	
Item	Qty	Description	Ord. No.
1	1	Handle & Pin Assby, includes #2 & 3	HF153
2	1	Pump Pin	HF61A
3	2	Cotter Pin	HF57
4	1	Fulcrum & Handle Pin 5/8" x 3"	O54
5	2	Cotter Pin	HD58
6	1	Fulcrum includes #4, 5 & 7	O400
7	1	Fulcrum & Cap Pin 5/8" x 3-3/4"	O53
8	1	Upper Piston Bar Guide	O460
9	1	Pump Cap includes #10	O200
10	3	Set Screw 1/2"-13NC x 1-1/2"	HD59
11	1	Flat Piston Bar	O50
12	1	Packing Nut	O31
13	1	Valve Stem Packg-Graphite rope 3/16" x 19"	HD67
14	1	Piston Rod (16 7/8" long) 303 S.S.	O52
15	1	Packing Flange	O6
16	1	Packing Washer 1/16" in. thick	O81
17	1	Base & Plug Assby. - 1-1/4"	HD140
17	1	Base & Plug Assby. - 2"	HD140A
18	1	Pipe Plug, 1-1/4" NPT	HD71
19	2	Bolt, 3/8"-16NC x 2-1/4"	HD70
20	1	Gasket 1/8" thick	O80
21	1	Bibb Spout Body Casting	O37FRO
22	1	Packing Washer	TP82
---	1	Valve Assby. includes #22 thru 29	HD155
23	1	Hex Head Cap Screw 3/8" x 3-1/2"	HD34
24	1	Hand wheel & screw assby.	HD156FRO
25	1	Cap	O38FRO
26	2	Nut 3/8"-16NC	UB17
27	2	Backing Washer	O41
28	2	Rubber Valve Disk	O43
29	1	Separating Washer	O42
30	1	Siphon Spout for 11HD	O9
31	1	Bibb Spout Assby. includes #21-29	O7
32	2	Hex Nut, 3/8" - 16NC	UB17
33	1	Screen Vent	PS585A
34	1	Spout Screen	HD190
35	1	Strainer	DP31
36	1	Set screw, 1/4" x 20 x 3/8" L	E49N
37	1	Screen Adapter includes #36	HD189
38	1	Hand Pump Screen Adapter Kit	1HPS
39	1	Pipe Plug, 1" NPT	SW33
40	1	Gasket	HD69



Hand Pumps

Models 11HDS & 12HDS



Force Hand Pumps			
Model No.			11HDS & 12HDS
Item	Qty	Description	Ord. No.
1	1	Top Cap	DP60P
2	2	Jam Nut	DP22
3	1	Piston Washer	DP62
4	1	Spacer Ring	DP61
5	1	Outer Shroud Assby	DP66P
6	1	Packing Nut	O31
7	1	Teflon Packing	DP134
8	1	Inner Shroud Assembly	DP68P
9	1	Piston Rod	DP72
10	2	Rod Coupling	7/16x7/16RC
11	1	Pump Rod extension 13-3/8" L.	HD90
12	1	Cap	DP202P
13	3	Set Screw 1/2-13NC x 1-1/2" L.	HD59
14	2	Cotter Pin	HD58
15	1	Fulcrum & Cap Pin, 5/8" x 3-3/4"	O53
16	1	Fulcrum includes 14, 15, 17	O400
17	1	Fulcrum & Handle Pin, 5/8" x 3"	O54
18	2	Cotter Pin	HF57
19	1	Pump Pin	HF61A
20	1	Handle & Pin Assby, includes #18 & 19	HF153
21	1	Packing Washer	O81
22	1	Base & Plug Assby.-1-1/4"	HD140
---	1	Valve Assby. includes #34 thru 41	HD155
23	1	Standard Pipe Plug, 1-1/4" NPT	HD71
24	2	Bolt, 3/8"-16NC x 2-1/4" L	HD70
25	1	Screen Vent	PS585A
26	1	Gasket	O80
27	1	Siphon Spout for 11HD	O9
28	2	Hex Nut, 3/8"-16NC	UB17
29	1	Spout Screen	HD190
30	1	Strainer	DP31
31	1	Screw, 1/4" x 20 x 3/8" L.	E49N
32	1	Screen Adapter includes #31	HD189
33	1	Hand Pump screen adapter kit	1HPS
34	1	Hex Head cap screw 3/8" x 3-1/2"	HD34
35	1	Handwheel & Screw Assby.	HD156FRO
36	1	Cap	O38FRO
37	2	Hex Nut 3/8" x 16NC	UB17
38	2	Backing Washer	O41
39	2	Rubber Valve Disk	O43
40	1	Separating Washer	O42
41	1	Packing Washer	TP82
42	1	Bibb Spout Body Casting	O37FRO
43	1	Bibb Spout Assby. includes #34-42	O7
44	1	Pipe Plug, 1" NPT	SW33
45	1	Gasket	HD69

